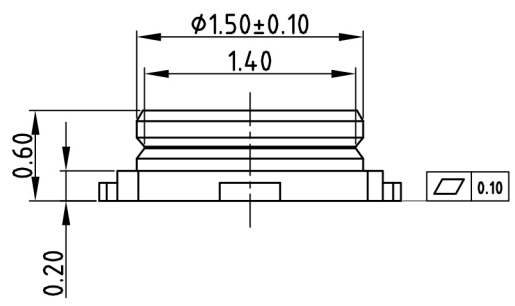
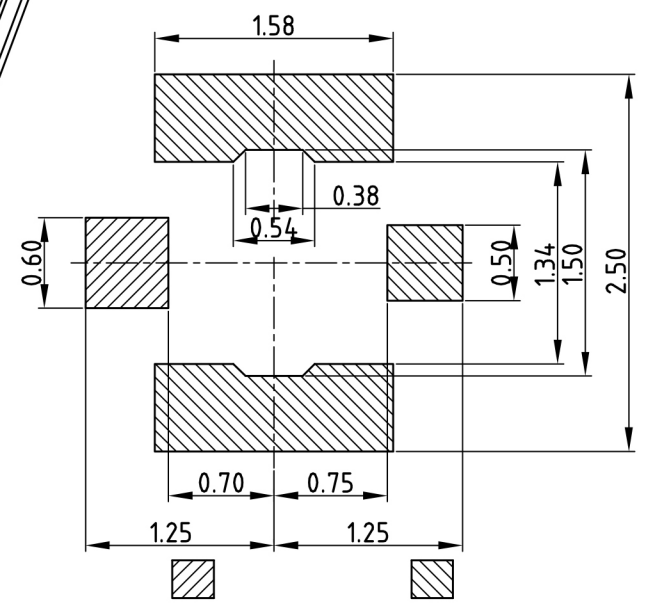
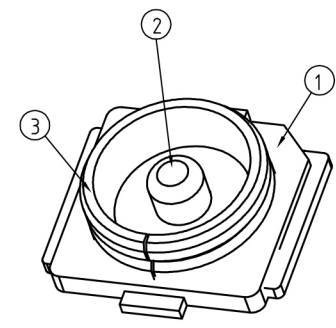
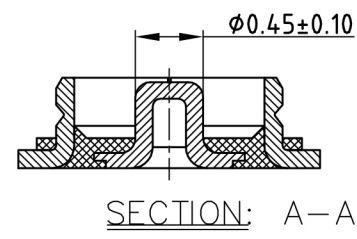
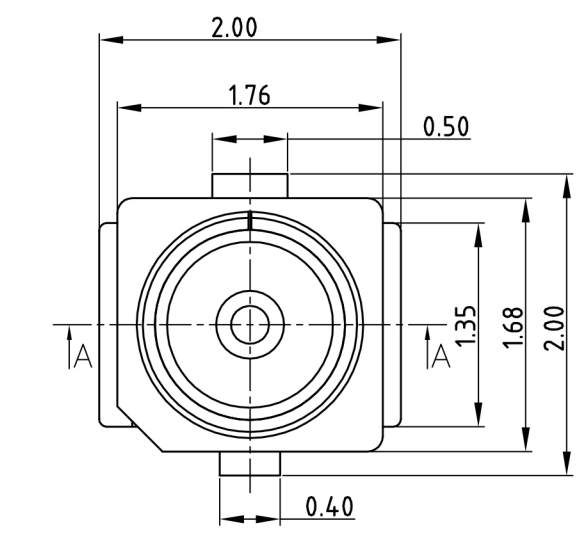
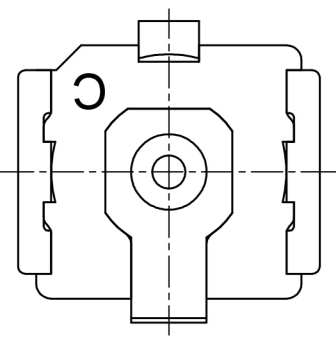


| Rev. | DATE | APPD |
|------|------------|-----------|
| A | 2012/12/25 | IVAN WANG |
| B | 2013/05/09 | IVAN WANG |
| C | 2014/06/24 | IVAN WANG |
| D | 2017/02/24 | Jarvan |
| E | 2018/05/25 | WESLEY |



SIGNAL CONTACT GROUND CONTACT
P.C.B DIMENSION (TOP VIEW)
(TOLLERANCE ± 0.05)



- NOTES:
- FREQUENCY RANGE:
DC TO 6GHZ (VSWR: 1.3MAX AT 0.1~3GHZ, 1.5MAX AT 3~6GHZ)
 - CHARACTERISTIC IMPEDANCE: 50Ω (NOMINAL);
 - TEMPERATURE: -40°C TO $+90^{\circ}\text{C}$;
 - RATED VOLTAGE : 60VAC;
 - CONTACT RESISTANCE :
20m Ω MAX.(SIGNAL CONTACT)
10m Ω MAX.OHM MAX.(GROUND CONTACT)
 - WITHSTAND VOLTAGE : 200VAC FOR 1 MINUTE MIN;
 - INSULATION RESISTANCE : 500M Ω MIN. AT 100VDC;
 - THIS COMPONENT IS HALOGEN FREE.

| | | | | |
|------|----------------|------|---------------|--|
| 3 | GROUND CONTACT | 1 | COPPER ALLOY | Au 0.03 μm Min. over Ni 1.27 μm Min. |
| 2 | SIGNAL CONTACT | 1 | COPPER ALLOY | Au 0.05 μm Min. over Ni 1.27 μm Min. |
| 1 | HOUSING | 1 | THERMOPLASTIC | UL94V-0,GF=30% |
| ITEM | NAME | Q'TY | MATERIAL | FINISH |

TOLERANCES UNLESS OTHERWISE SPECIFIED

| | | | |
|-----|------------|---------------|-------------------|
| X. | / | .XXX | / |
| .X | ± 0.15 | X. $^{\circ}$ | $\pm 1^{\circ}$ |
| .XX | ± 0.10 | X. $^{\circ}$ | $\pm 0.5^{\circ}$ |

深圳市红心科技电子有限公司

| | |
|-------------------------|-----------------------------|
| SERIES: RF BOARD END | TITLE: RF 4G BOARD END |
| APPD: Wesley 2018/05/25 | PART No.: ANB0150x-411-R |
| CKD: Roy.D 2018/05/25 | DWG No.: 307-0000-0033 |
| DR: Roy.D 2018/05/25 | |

THESE DRAWINGS AND SPECIFICATIONS ARE THE PROPERTY OF KUNSHAN COCENTRA ELECTRONICS Co.LTD. AND SHALL NOT BE REPRODUCED, COPIED OR USED IN ANY MANNER WITHOUT THE PRIOR WRITTEN CONSENT OF KUNSHAN COCENTRA ELECTRONICS Co.LTD.

| UNITS | MAT'L | FINISH | SCALE | SHEET | REV. |
|-------|-------|--------|-------|-------|------|
| MM | | | 1:1 | 1/1 | E |