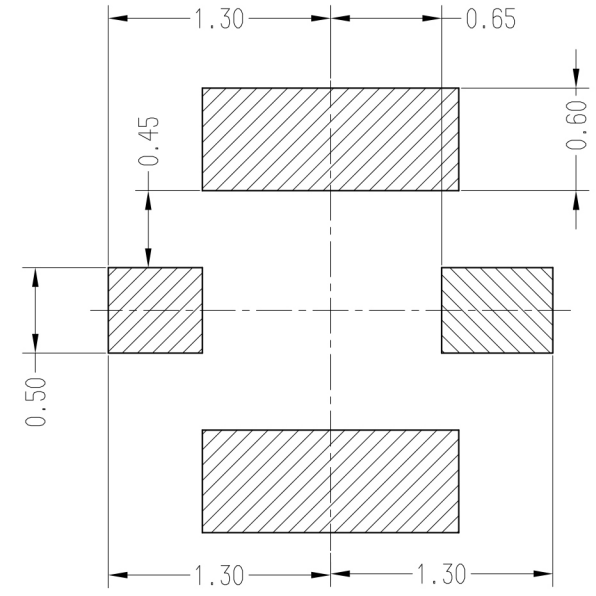
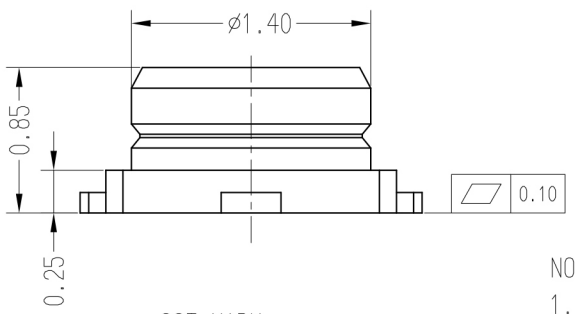
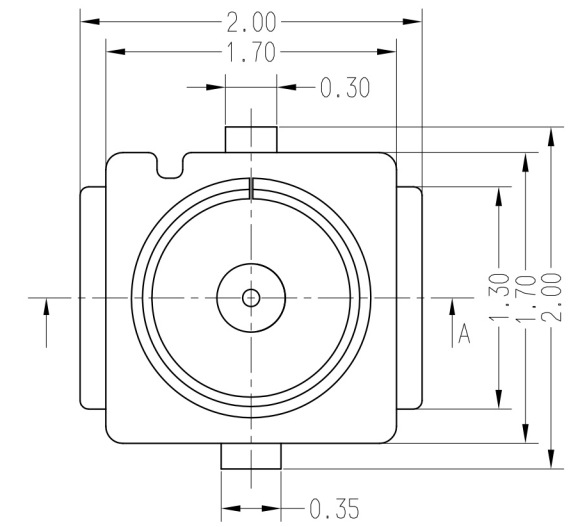
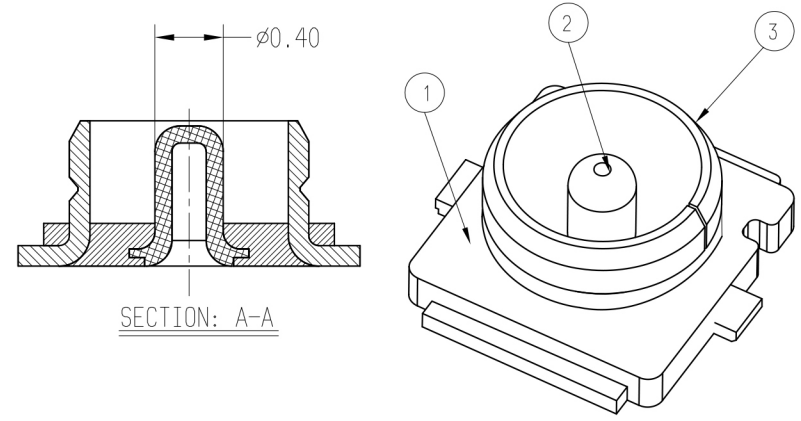
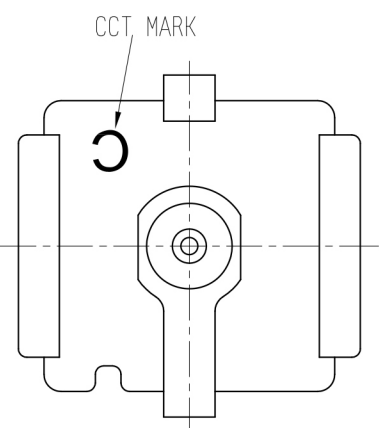


Rev.	DATE	APPD
A	2012/08/01	IVAN WANG
B	2013/05/09	IVAN WANG
C	2014/06/20	IVAN WANG



P.C.B DIMENSION (TOP VIEW)  
(TOLLRRANCE ±0.05)

- NOTES:
- FREQUENCY RANGE:  
DC TO 6GHZ (VSWR: 1.3MAX AT 0.1~3GHZ, 1.4MAX AT 3~6GHZ)
  - CHARACTERISTIC IMPEDANCE: 50Ω(NOMINAL);
  - TEMPERATURE: -40° C TO +90° C;
  - RATED VOLTAGE : 60VAC;
  - CONTACT RESISTANCE :  
20mΩ MAX.(SIGNAL CONTACT)  
20mΩ MAX.(GROUND CONTACT)
  - WITHSTAND VOLTAGE : 200VAC FOR 1 MINUTE MIN;
  - INSULATION RESISTANCE : 500MΩ MIN. AT 100VDC;
  - THIS COMPONENT IS HALOGEN FREE.



ITEM	NAME	Q'TY	MATERIAL	FINISH
3	GROUND CONTACT	1	JIS C5191R-H	GOLD FLASH OVER Ni PLATED OVERALL.
2	SIGNAL CONTACT	1	JIS C2680M	GOLD FLASH OVER Ni PLATED OVERALL.
1	HOUSING	1	LCP E6808	UL94V-0

TOLERANCES UNLESS OTHERWISE SPECIFIED			
X.	/	.XXX	/
.X	±0.15	X.°	±1°
.XX	±0.10	.X°	±0.5°

**深圳市红心科技电子有限公司**

SERIES: RF BOARD END      TITLE: RF 3G I TYPE BOARD END

APPD: IWAN.WANG 2014/06/20      PART No.: ANB0140\*-321

CKD: ELI. DUAN 2014/06/20      DWG No.: 307-0000-1003

DR: Jack Zhang 2014/06/20

UNITS	MAT'L	FINISH	SCALE	SHEET	REV.
MM	△	△	1:1	1/1	C

THESE DRAWINGS AND SPECIFICATIONS ARE THE PROPERTY OF KUNSHAN COCENTRA ELECTRONICS Co.LTD. AND SHALL NOT BE REPRODUCED, COPIED OR USED IN ANY MANNER WITHOUT THE PRIOR WRITTEN CONSENT OF KUNSHAN COCENTRA ELECTRONICS Co.LTD.