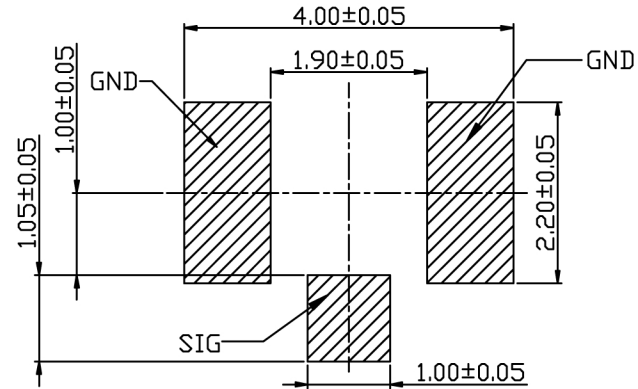
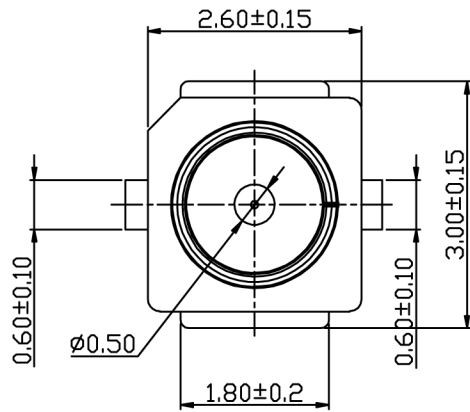
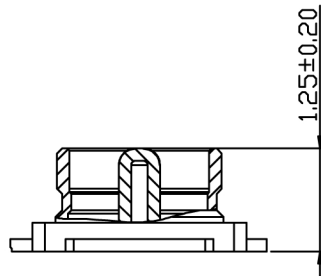
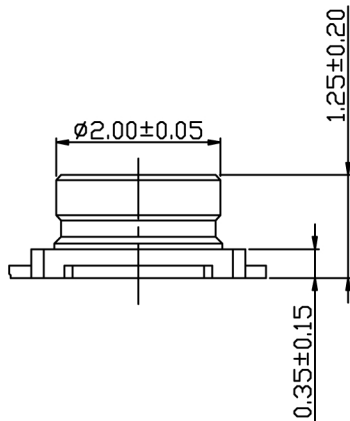


REV.	LOCATION	DESCRIPTION	DWN	ARVD	DATE

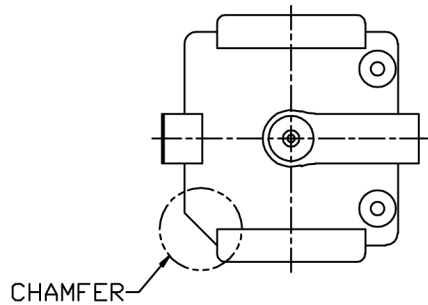


RECOMMENDED PC BOARD PATTERN DRAWING



NOTES:

- 1. ELECTRICAL CHARACTERISTICS:**
 - 1.1 CURRENT RATING: 0.5A Max;
 - 1.2 IMPEDANCE: 500HM NOMINAL.
- 2. MECHANICAL CHARACTERISTICS:**
 - 2.1 OPERATING TEMP. -40° TO 90° ;
 - 2.2 VSWR UP TO 3 GHz: 1.3MAX;
3GHz TO 6GHz: 1.3MAX;
 - 2.3 DURABILITY: 30CYCLES.



DRAWING NO. 深圳市红心科技电子有限公司

TOL.	PART NAME	LVC CONN 40PIN 0.5PH TERMINAL	DWN	zhangquan 2016/3/3	PROJECTION	SHEET	1/1
X. X° ± 1°	PART NO.		TITLE:	RF射频		产品型号	IPEX_RF3031
.X ± 0.05 X° ± 0.5°	ASSEMBLY NO.	HLX09101	APVD			文档编号	HX-RD-RF-1001
.XX ± 0.03 XX° ± 0.05°	DWG TYPE		UNITS	mm			